

Schlage® Residential Locksets

FA-Series & BA-Series

Schlage® Accents™
Residential Locks and Deadbolts

- Decorative trim for elegant upgrade
- Concealed screws for aesthetic appeal
- Adjustable through-Bolt post for simplified installation
- Lifetime Limited Finish and Mechanical Warranty
- Maximum Security handlesets are forged of solid brass; knobs and roses are made of heavy gauge wrought brass. Three-piece assembly provides easy installation, and a universal latch fits both 2³/₈" or 2³/₄" backsets.
- Triple-Option® faceplates are standard in all F-Series knobs and levers.
- Handlesets and Deadbolts are available for doors up to 2¹/₂" thick.
- One piece handlesets must have a 5¹/₂" on center door prep.
- F-Series knobs/levers will fit on FA-Series handlesets
- All lever designs are field reversible and do not require handing when ordering passage, privacy and keyed functions.
- The standard of home security, Schlage deadbolts feature: bolts that accommodate both 2³/₈" or 2³/₄" backsets, full 1" throw, free-spinning cylinder collar that resists wrenching or prying, anti-pick spool pins, anti-saw roller pin, and patented steel door frame reinforcer with 3" heavy gauge screws that withstand kick-in attacks.
- Triple-Option® faceplates are standard in all BA300-Series Deadbolts.
- All F359, Inside Trim, is compatible with FA358 handlesets.

Note: Handleset product titles reflect FA360 configurations.



F-Series & B-Series

Residential Locks and Deadbolts

- Available in a wide variety of styles, functions, and finishes, F-Series locksets offer Schlage's distinctive styling, mechanical integrity, and exceptional value.
- Maximum Security handlesets are forged of solid brass; knobs and roses are made of heavy gauge wrought brass. Three-piece assembly provides easy installation, and a universal latch fits both 2³/₈" or 2³/₄" backsets.
- Lifetime Limited Mechanical and Finish Warranty
- All lever designs are field reversible and do not require handing when ordering passage, privacy and keyed functions.
- Triple-Option® faceplates are standard in all F-Series knobs and levers.
- Handlesets and Deadbolts are available for doors up to 2¹/₂" thick.
- All lever designs are field reversible and do not require handing when ordering passage, privacy and keyed functions.
- The standard of home security, Schlage deadbolts feature: bolts that accommodate both 2³/₈" or 2³/₄" backsets, full 1" throw, free-spinning cylinder collar that resists wrenching or prying, anti-pick spool pins, anti-saw roller pin, and patented steel door frame reinforcer with 3" heavy gauge screws that withstand kick-in attacks.
- Triple-Option® faceplates are standard in all B300-Series Deadbolts.
- All F359, Inside Trim, is compatible with FA358 handlesets.



J-Series and JD-Series

Residential Locks and Deadbolts

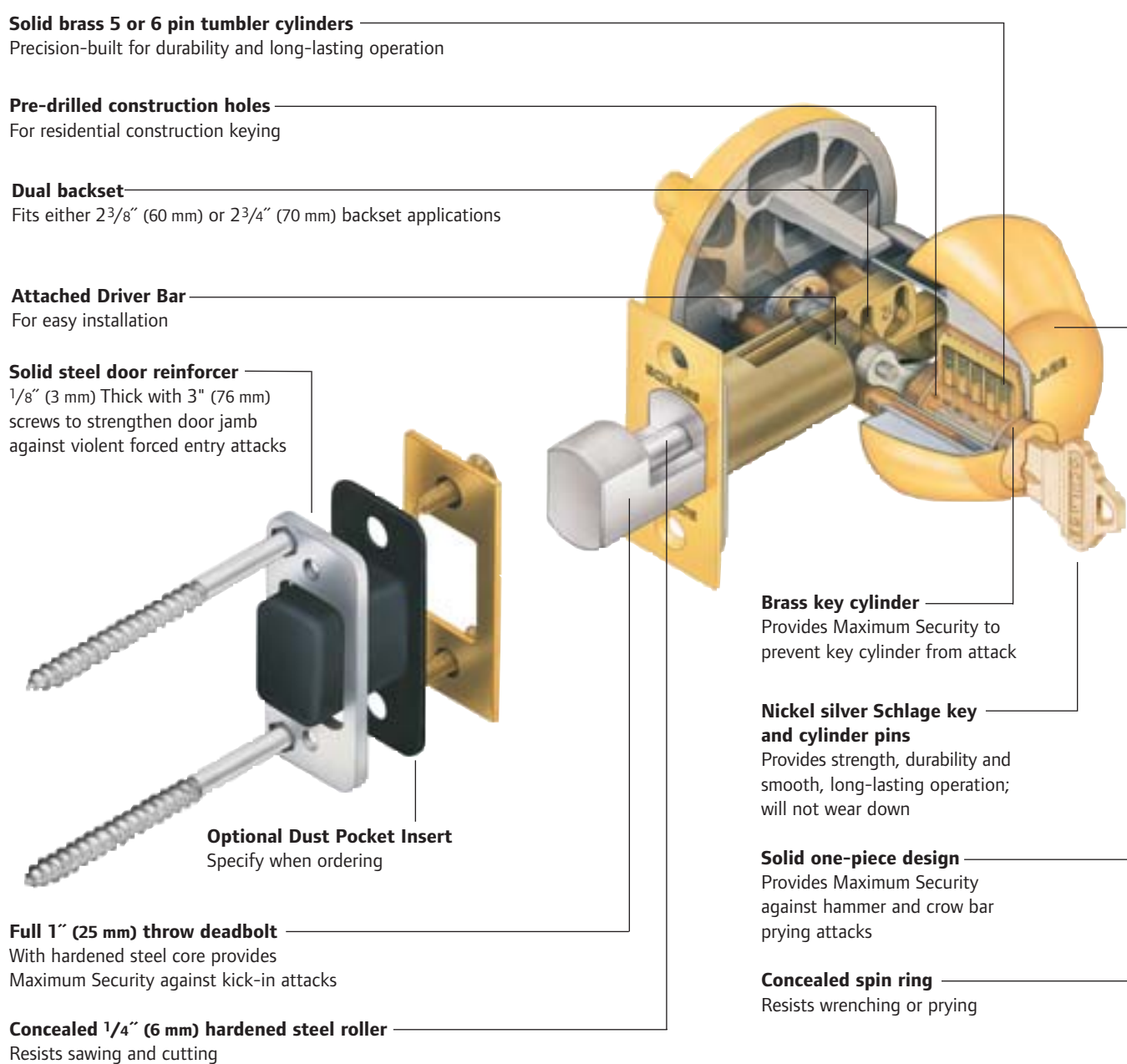
- ANSI Grade 3 Security
- 5 Year Finish Warranty
- Lifetime Limited Mechanical Warranty
- Adjustable Deadbolts & Latches fit 2³/₈" or 2³/₄" backsets
- Fits standard door preps
- Easy To Install
- Features Schlage C-Keyway
- JI-Series features interconnected latchbolt and deadbolt chassis, latch and deadbolt retract simultaneously



Note: Mechanical and finish warranties are valid on products used in residential applications only.

Maximum Security

B & BA DEADBOLTS



Schlage is a brand of Ingersoll Rand Security Technologies (IRST), a leading global provider of products and services that make environments safe, secure and productive. In addition to mechanical locks and architectural hardware, IRST manufactures and markets numerous market-leading products around the globe, including: electronic and biometric access-control systems; portable security; door closers, exit devices; and steel doors and frames.

800.847.1864 www.schlage.com www.ingersollrand.com

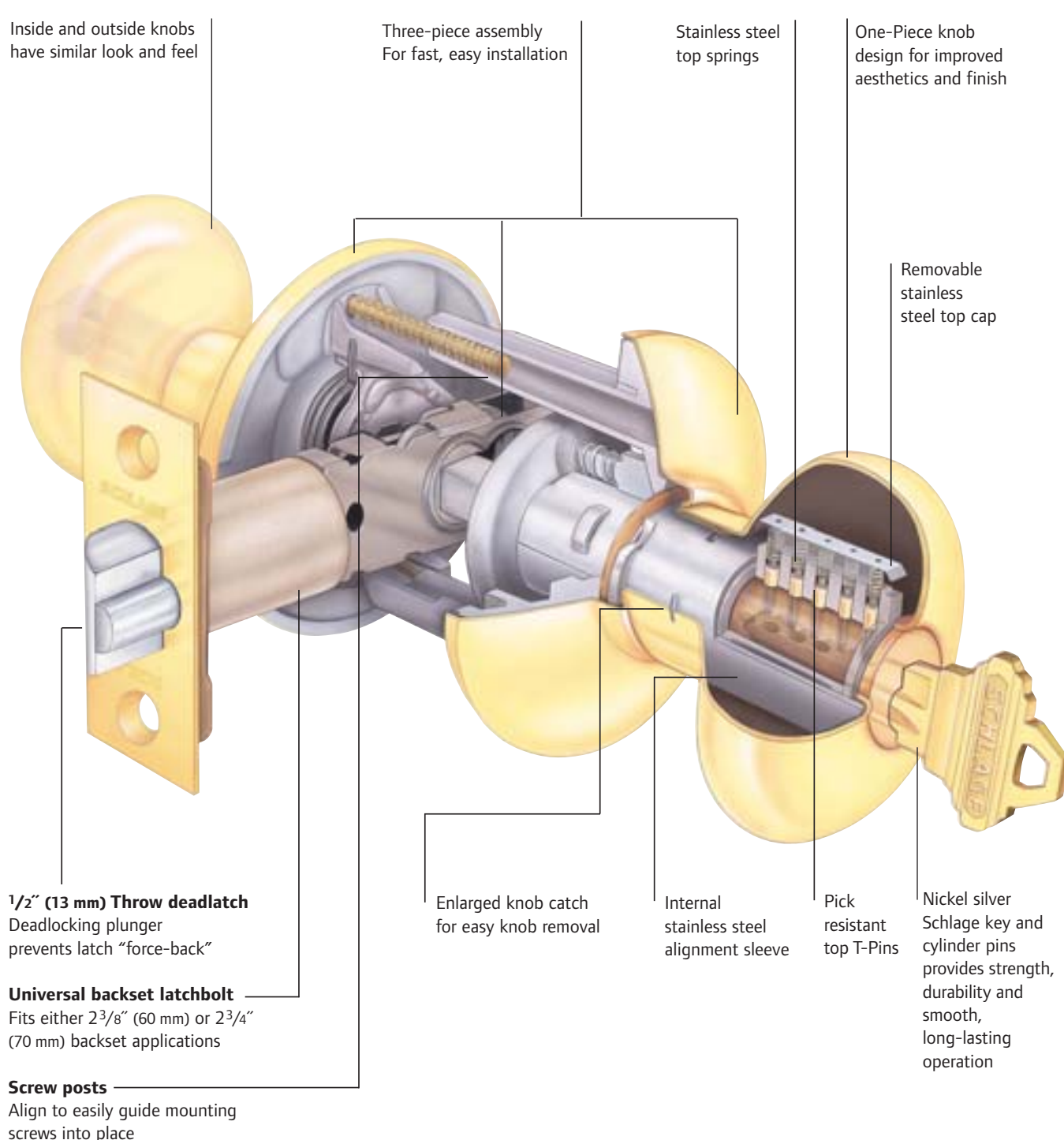
© 2006 Ingersoll Rand Company Limited MR-1090 08/06



Residential Locksets



F-Series & FA-Series Cutaway View



Finishes

| BRAND | KNOB | Series | 505 | 605 | 609 | 612 | 613 | 619 | 620 | 625 | 626 | 630 | 716 |
|---------|------------------|--------|-----|-----|-----|-----|-----|-----|-----|-----|-----|-----|-----|
| Schlage | Bell | F | • | • | • | | | | | | | | |
| Schlage | Georgian | F | • | • | • | | | | | | | | |
| Schlage | Orbit | F | • | • | • | | | | | | | | |
| Schlage | Plymouth | F | • | • | • | | | | | | | | |
| Schlage | Siena | F | • | • | • | | | | | | | | |
| Schlage | Andover | FA | • | • | • | | | | | | | | |
| Dexter | Danbury | FA | • | • | • | | | | | | | | |
| Dexter | Byron | J | • | • | • | | | | | | | | |
| Dexter | Corona | J | • | • | • | | | | | | | | |
| Dexter | Stratus | J | • | • | • | | | | | | | | |
| BRAND | LEVER | Series | 505 | 605 | 609 | 612 | 613 | 619 | 620 | 625 | 626 | 630 | 716 |
| Schlage | Accent | F | • | • | • | | | | | | | | |
| Schlage | Avanti | F | • | • | • | | | | | | | | |
| Schlage | Elan | F | • | • | • | | | | | | | | |
| Schlage | Flair | F | • | • | • | | | | | | | | |
| Schlage | Jazz | F | • | • | • | | | | | | | | |
| Schlage | Manhattan | F | • | • | • | | | | | | | | |
| Schlage | Callington | FA | • | • | • | | | | | | | | |
| Schlage | Merano | FA | • | • | • | | | | | | | | |
| Schlage | Champagne | FA | • | • | • | | | | | | | | |
| Schlage | St. Annes | FA | • | • | • | | | | | | | | |
| Dexter | Dover | J | • | • | • | | | | | | | | |
| Dexter | LaSalle | J | • | • | • | | | | | | | | |
| Dexter | Marin | J | • | • | • | | | | | | | | |
| Dexter | Torino | J | • | • | • | | | | | | | | |
| Dexter | Marin | JL | • | • | • | | | | | | | | |
| Dexter | Torino | JL | • | • | • | | | | | | | | |
| BRAND | HANDLESETS | Series | 505 | 605 | 609 | 612 | 613 | 619 | 620 | 625 | 626 | 630 | 716 |
| Schlage | Bowman | F | • | • | • | | | | | | | | |
| Schlage | Camelot | F | • | • | • | | | | | | | | |
| Schlage | Century | F | • | • | • | | | | | | | | |
| Schlage | Parthenon | F | • | • | • | | | | | | | | |
| Schlage | Plymouth | F | • | • | • | | | | | | | | |
| Schlage | Ashcroft | FA | • | • | • | | | | | | | | |
| Schlage | Chantilly | FA | • | • | • | | | | | | | | |
| Schlage | Florence | FA | • | • | • | | | | | | | | |
| Schlage | Kent | FA | • | • | • | | | | | | | | |
| Schlage | Monaco | FA | • | • | • | | | | | | | | |
| Schlage | Monticello | FA | • | • | • | | | | | | | | |
| Schlage | Sutton | FA | • | • | • | | | | | | | | |
| Schlage | Venice | FA | • | • | • | | | | | | | | |
| Schlage | Wakefield | FA | • | • | • | | | | | | | | |
| Dexter | Barcelona | JH | • | • | • | | | | | | | | |
| Dexter | Cirrus | JH | • | • | • | | | | | | | | |
| Dexter | Paris | JH | • | • | • | | | | | | | | |
| BRAND | DEADBOLTS | Series | 505 | 605 | 609 | 612 | 613 | 619 | 620 | 625 | 626 | 630 | 716 |
| Schlage | Standard | BC100 | • | • | • | | | | | | | | |
| Schlage | Maximum Security | B300 | • | • | • | | | | | | | | |
| Schlage | Heavy Duty | BA300 | • | • | • | | | | | | | | |
| Schlage | Heavy Duty | B600 | • | • | • | | | | | | | | |
| Dexter | Standard | JD60 | • | • | • | | | | | | | | |
| Dexter | 1-Sided Doorbolt | JD80 | • | • | • | | | | | | | | |
| Dexter | 1-Sided Doorbolt | JD81 | • | • | • | | | | | | | | |

Finish Descriptions



Add The Finishing Touch with IVES Decorative Builders Hardware

- Coordinates with Schlage Locks
- Creates maximum design appeal
- Provides decorative hardware accents that last a lifetime



F-Series & FA-Series Lifetime Anti-Tarnish Bright Brass Finish

The newly enhanced Lifetime Finish, an environmentally clean process that outperforms and outlasts other types of finishes. The Lifetime Finish prevents tarnishing and protects against corrosives like salt, sun, humidity and cleaning products, yet provides a luxurious jewel-like finish.

Lifetime Limited Finish Warranty

Schlage extends a lifetime limited finish warranty only to the original consumer user ("Original User") of our Accents™ products ("Products") against tarnishing, corrosion and discoloration of Products as long as the Original User owns the Products, subject to the terms and conditions*.

Lifetime Limited Mechanical Warranty

Backed by over 75 years of Schlage's quality workmanship and precision engineering, all products used in single family residential applications are guaranteed to provide trouble-free operation for a lifetime. Schlage extends a lifetime limited mechanical warranty only to Original User of Products against defects in material and workmanship of Products as long as the Original User owns the Products, subject to the terms and conditions*.

Lifetime Limited Warranty (Premium Finishes)

Schlage Lock Company ("Schlage") extends a Limited Lifetime warranty to the original user ("User") of Schlage Lock Limited Lifetime Finish ("Product") against tarnishing as long as the User occupies the single family residential premises at which the Product was originally installed. **Oil-Rubbed Bronze (613) finish is designed to improve over time and change in appearance, creating a living finish through daily use, thus, is not applicable to the above discoloration warranty.**

These warranties **DO NOT COVER:** (i) scratches or abrasions, (ii) abused or misused Products or (iii) Products used in commercial applications other than multi-family residential. Upon return of a defective Product to Schlage, Schlage shall either replace the Product or refund the purchase price in exchange for the product.

What Schlage Will Do. Upon return of the defective Product to Schlage, Schlage's sole obligation, at its option, is to either repair or replace the Product or refund the purchase price in exchange for the Product.

Original User. These warranties only apply to the Original User of Products. These warranties are not transferable.



- Lifetime Limited Mechanical Warranty
- 5-Year Finish Warranty